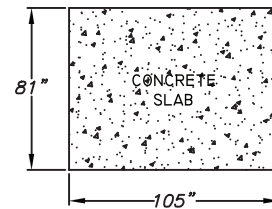
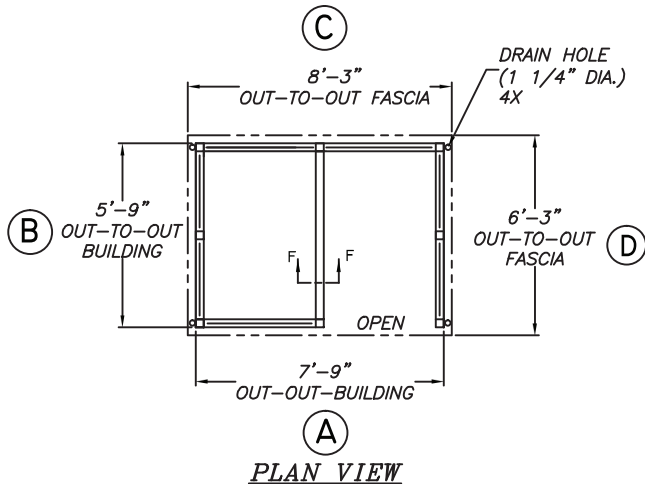
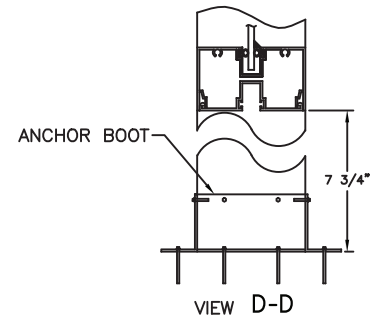
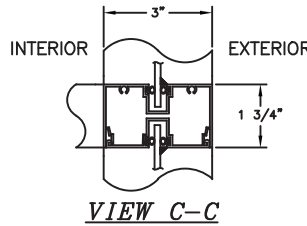
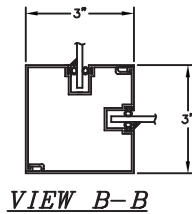
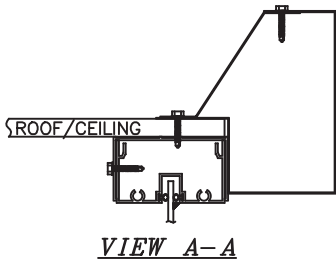
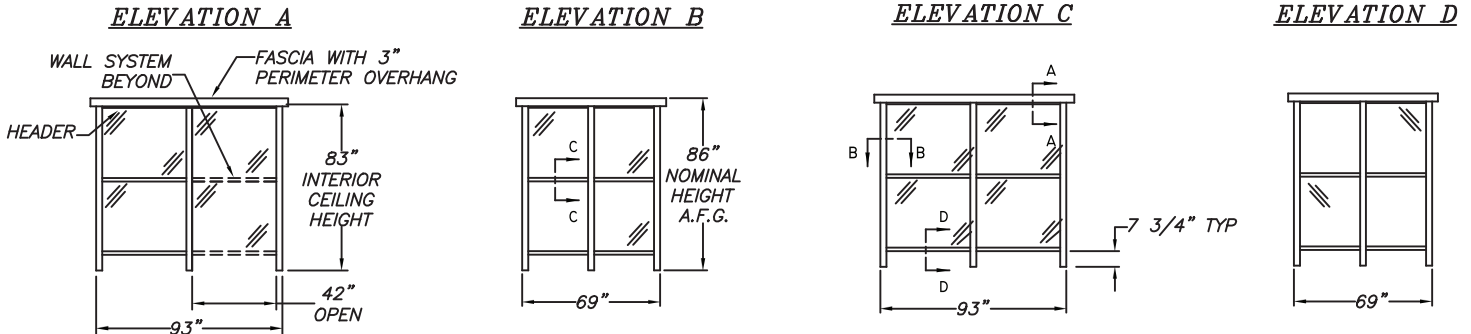


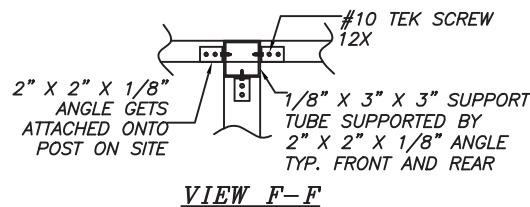
Model # ALS68A1FR

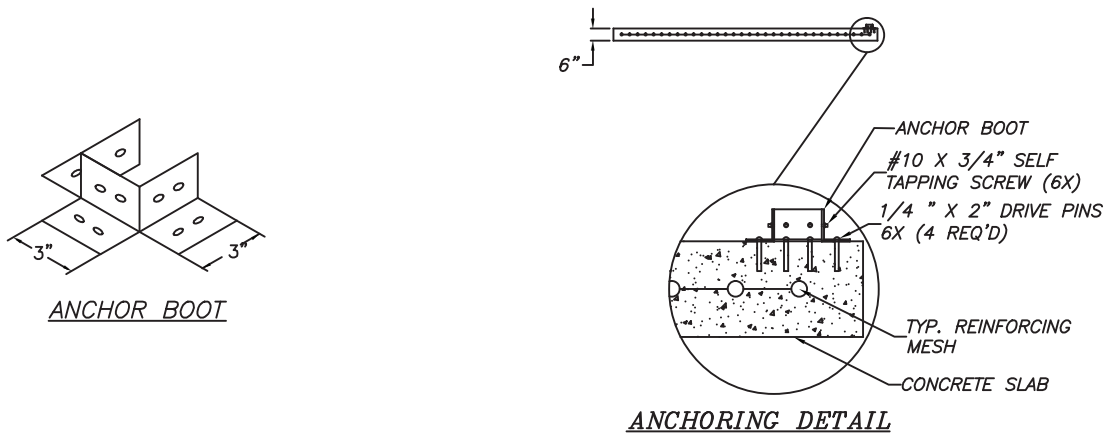
Dimension Sheet

FLAT ROOF | SINGLE OPENING | 6'W x 8'L



NOTE: CONCRETE SLAB DESIGN BY OTHERS—DIMENSIONS SHOWN ARE RECOMMENDED MIN. SIZES ONLY





- A. GENERAL: Unassembled modular shelter is fabricated from low maintenance, lightweight corrosive resistant aluminum (factory fabricated). Site assembly required.
- 1 DIMENSIONS: 5'-9" wide x 7'-9" long, 86" (2184.4mm) exterior height and 83" (2108.2 mm) interior ceiling height.
- 2 FRAME: 6063-T6 aluminum alloy extrusions with Bronze or White finish (see color call out). Framing assembled using internally located mechanical fasteners. Exposed fasteners on framing system are not acceptable. Standard 7 3/4" ventilation space at bottom of unit.
- 3 ROOF: Constructed using Hardboard Factory coated FRP with white finish exterior and interior. Roof drains into a full perimeter gutter system.
- 4 WINDOWS: Fixed windows are single pane 1/4" minimum clear tempered safety glass, glazed within wall system extrusions and not fastened to exterior wall. Glass sealed with concealed gasket system.
- 5 ANCHORING: Shelter installation requires concrete pad to be 12" minimum larger than shelter in both length and width dimensions. Pad must be level within 1/2" over length and width of structure. Shelter to be anchored to pad using height adjustable aluminum boot and anchored down using 1/4" X 2" expansion anchors.

DESIGN LOADS  
WIND LOAD: 90 mph  
SNOW LOAD: 40 psf